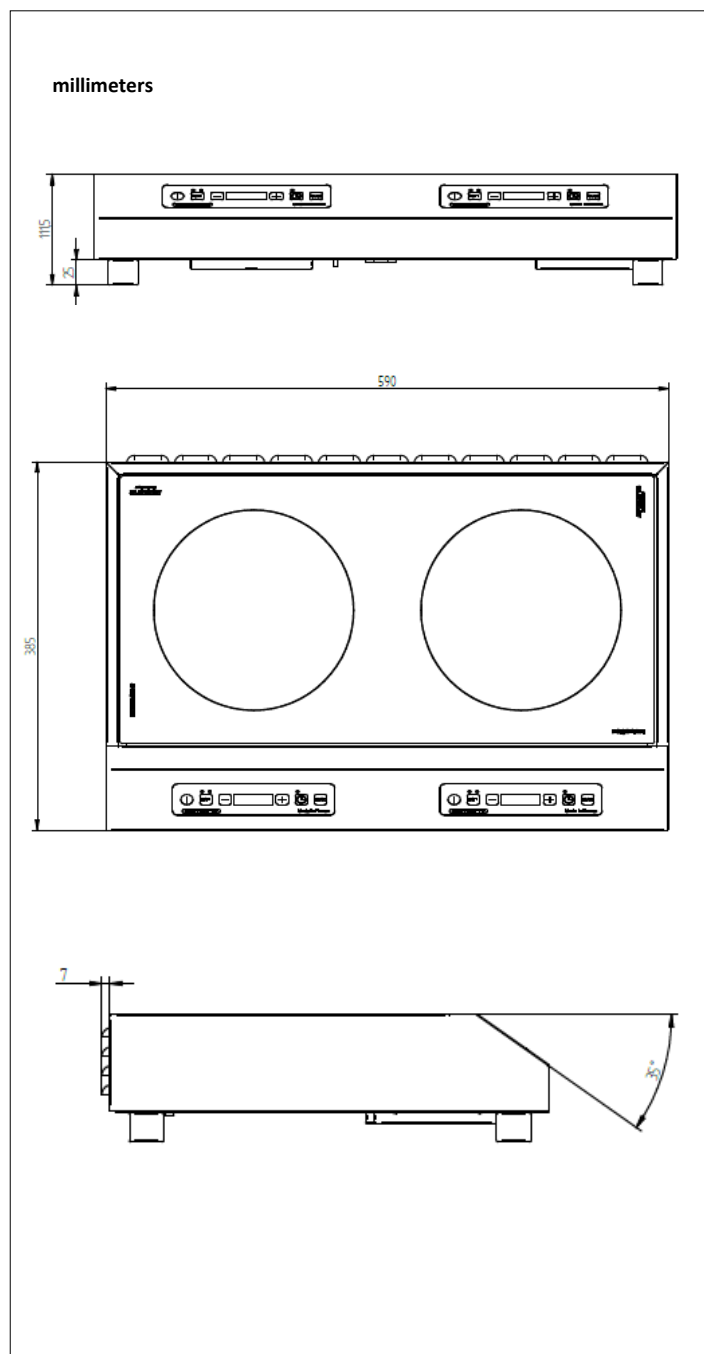




TECHNICAL FEATURES	
External structure	stainless steel
Dimensions	590 x 385 x 110
Power	3000W
Cooking surface	Vitroc ceramic glass.
Control panel	Capacitive touches - glass control panel
Amp	13A
Functions	(On/Off, manual power and temperature setting (+/-) with 4 digits display Timer From 30°C to 250°C From 50 to 1500W per zone. Max key to reach maximum power faster
Power supply	230 V; 208/240 V ; AC 50 - 60 Hz
Weight	14kg kg / 30,9lbs.
Standards	Complies with European standards for safety of electrical appliances.
Details & Options	Including a power cord and a washable filter (wash regularly).



ADVENTYS
Route de Pagny - 21250 Seurre - France
www.adventys.com
sales@adventys.com
T: +33 3 80 20 46 15

Important note

Adventys reserves the right to modify specifications without notice.

